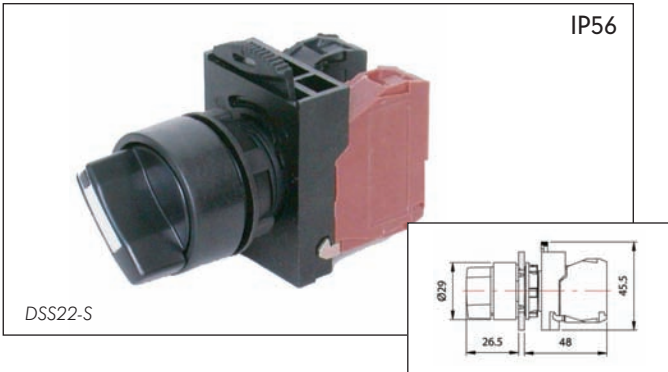
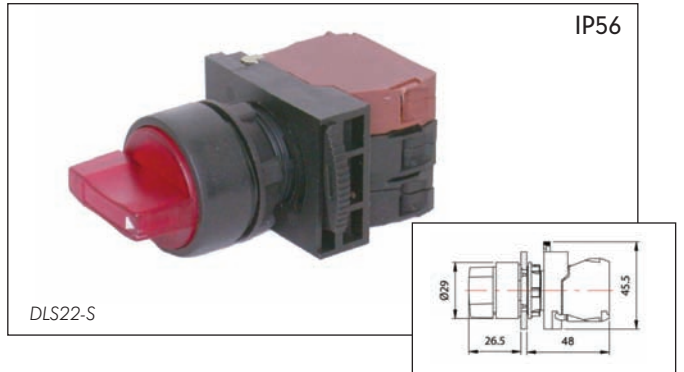


## Selector and Key Non-Illuminated Switches – 22Ømm

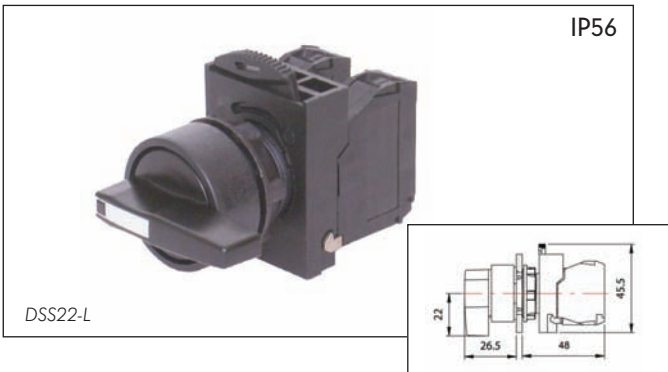
### DSS22-S – Normal Shaft, 2 & 3 Positions



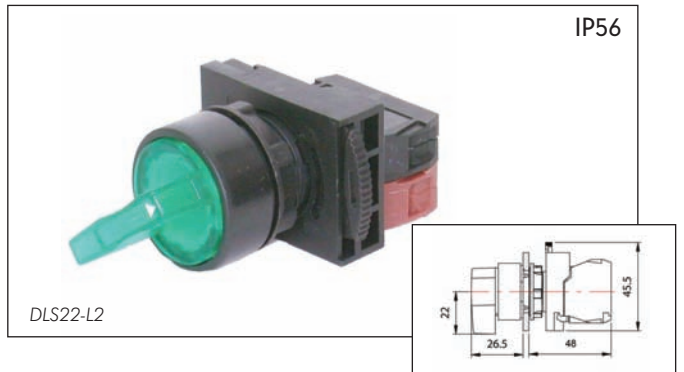
### DLS22-S – Normal Shaft, 2 & 3 Positions



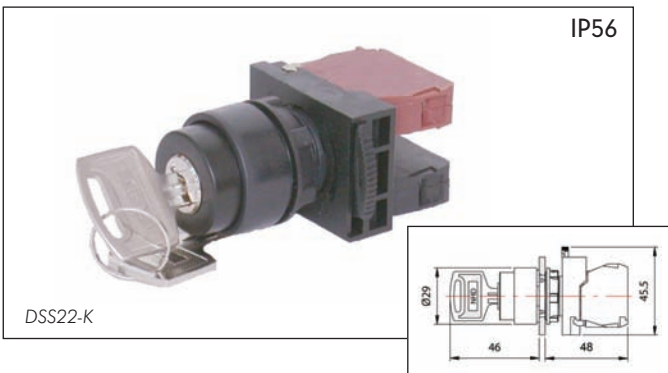
### DSS22-L – Long Shaft, 2 & 3 Positions



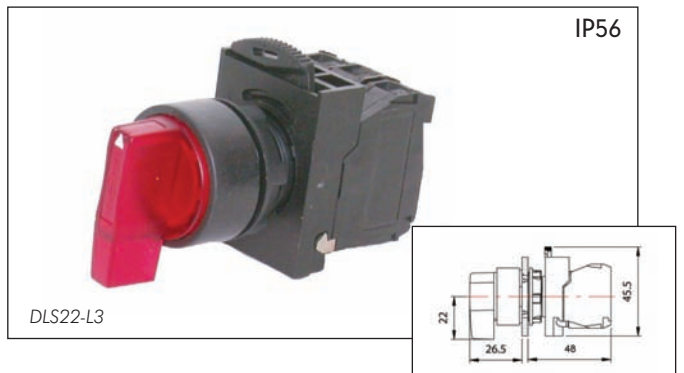
### DLS22-L2 – Long Shaft, 2 Positions



### DSS22-K – Key, 2 & 3 Positions



### DLS22-L3 – Long Shaft, 3 Positions



### DSS22 Non-illuminated – 22Ømm

Non-illuminated selector switches come in three types of heads with four positions; eight types of contact blocks; a choice of cap colours and voltage ratings.

- Materials: Please see page 12
- Types: Normal Shaft (**S**)    Long Shaft (**L**)    Key (**K**)
- Positions: 2 Position (**2**)    3 Position (**3**)  
2 Position (Spring Return) (**1**)    3 Position (Spring Return) (**0**)
- 8x Contact blocks configurations
- Selector switch cap colours:  
Red (**R**)    Yellow (**Y**)  
Green (**G**)    Black (**B**)

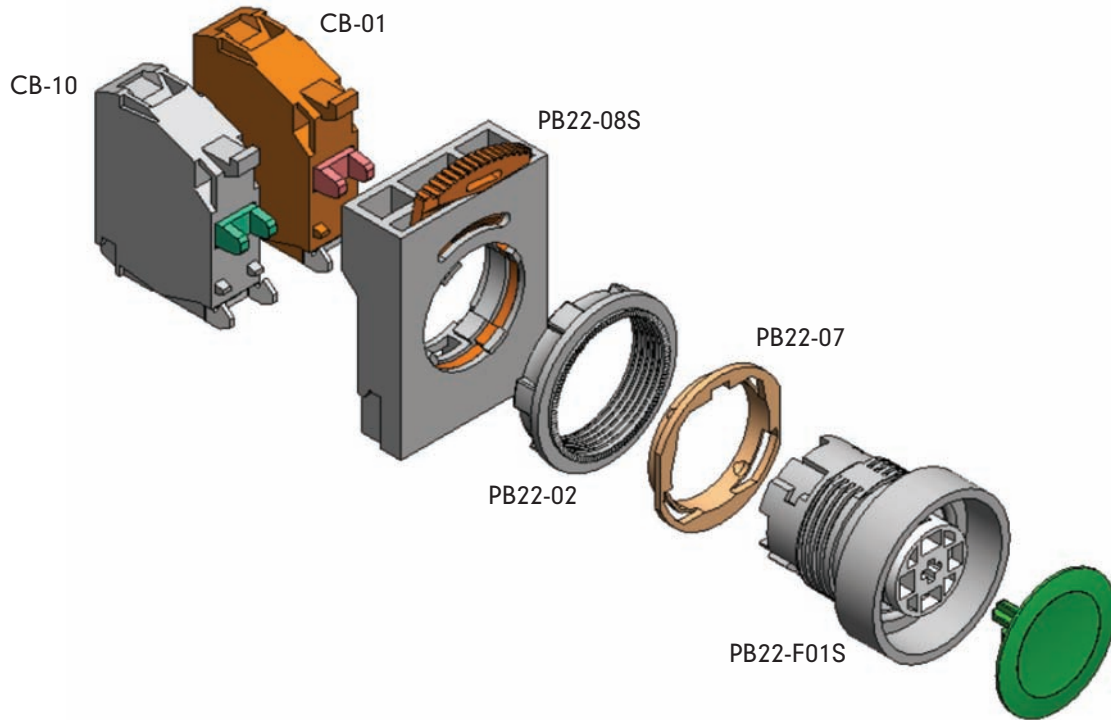
### DLS22 Illuminated – 22Ømm

Illuminated selector switches come in two types of heads with four positions; eight types of contact blocks; a choice of cap colours and voltage ratings.

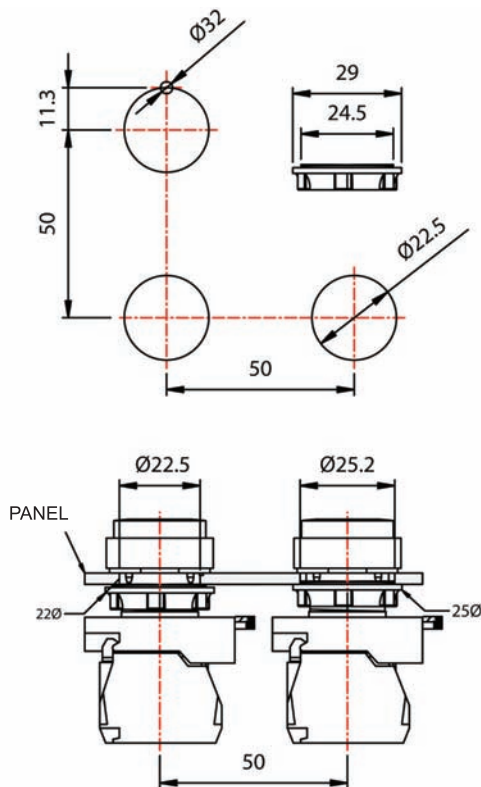
- Materials: Please see page 12
- Types: Normal Shaft (**S**)    Long Shaft (**L**)
- Positions: 2 Position (**2**)    3 Position (**3**)  
2 Position (Spring Return) (**1**)    3 Position (Spring Return) (**0**)
- 8x Contact blocks configurations
- Selector switch cap colours:  
Red (**R**)    Yellow (**Y**)    Green (**G**)
- Voltage rating: Please see page 12

## Exploded View – Push Button Control Station

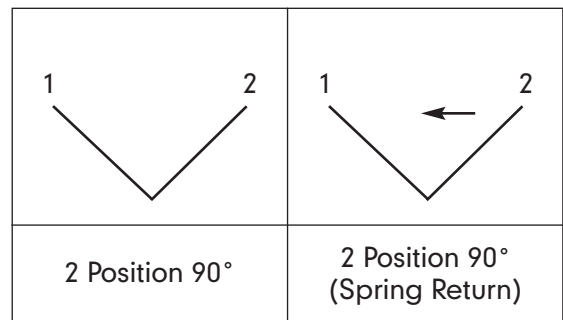
### DPB22 PUSH BUTTON CONTROL STATION WITH PART NUMBERS



### Mounting Hole Layout

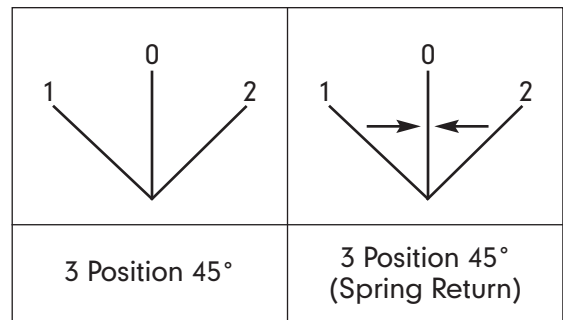


### Selector Switch Positions



DEO-PB22-2 – STANDARD

DEO-PB22-1 – OPTIONAL



DEO-PB22-3 – OPTIONAL

DEO-PB22-0 – OPTIONAL



We have a wide range of switches from push button, selector and key to pilot lamps and palm/foot switches; illuminated and non-illuminated with up to 12 different types of heads to choose from, eight types of contact blocks, a choice of cap colours and voltage ratings for use in the electrical and electronic engineering markets.

### SWITCH MATERIALS

**Body:** PA66 + 15%GF-VO

- Illuminated types Polycarb VO
- Lever types POM polyacetal
- Push button types PA66 V2
- Contact block bracket PA66 V2 + 15%gf
- Contact Block PA66 VO
- Contact block plunger PA66 VO + 15%gf
- Rubber boot silicone rubber
- Push/pull button PA66 V2
- Panel seal PVC
- Panel nut PA66 V2 +15%gf
- Key brass, nickel plate
- Legend holder PA66 V2
- Legend PP

### Contacts:

- Copper alloy/nickel silver
- AgCdO silver, gold plated
- Bifurcated serated

### Screw & Clamp:

- Steel, nickel plated
- M3.5 captive steel, chrome plate

**Splash Proof Cover:** Silicone rubber

**Keys:** Brass, nickel plated, 2 supplied

### Electrical Properties:

Switch Rating:

|                                 |      |
|---------------------------------|------|
| AC12 Resistive Load 220-240V... | 3A   |
| 380-415V...                     | 1.5A |
| AC15 Electromagnetic Loads...   | 3A   |
| 380-415V...                     | 1.5A |

Electrical Life (operations):

500,000 at full load

Mechanical Life (operations): 1,000,000

Contact Resistance (new): Less than 30mΩ

Insulation Resistance:

Above 100MΩ @500Vdc

Dielectric Strength:

|                       |      |      |
|-----------------------|------|------|
| Across open contacts: | >1KV | >2KV |
| Between poles:        | >3KV | >3KV |

Between live parts and accessible metal: >4KV >5KV

Contact Gap: >3mm

Termination: Screw and clamp

Max. Wire size (per terminal):

- 1x 0.5 – 2.5mm<sup>2</sup> or
- 2 x 1mm<sup>2</sup> each side of screw
- 2 x 1.5mm<sup>2</sup> dia max. multi strand (2 wires per clamp)

### Physical Properties:

Operating Temp. (min./max.):

-10° + 65° in house

Storage Temp. (1 year): -20°/+60°C

### Mechanical Properties:

Panel hole size: 22.5 diameter round with 3.2 dia. keyway

For types R (Emergency Stop - Reset):

40N (with 1 module) to EN418

**Sealing:** Ingress Rating (IPxx)

Switch: IP66

IP66 types F, L, E, palm

IP65 types push/pull

IP56 types K, S, L, R, M

IP56 D

Switch to panel (22mm): IP66

Splash proof cover, round: IP67 for

Types F, E, L

Splash proof cover, rectangular: IP67 for

Type D

### Illumination:

Bayonet BA9s LED – Voltages: 6/24V,

100/120 – 220/240V

380/415V, ac/dc

Bayonet 9mm – Voltages: + 380-415 VAC

Life: 100,000 hours

### Product Marking:

Terminal Numbers:

1 & 2 – On Contact Block, CB-01, N.O.

3 & 4 – On Contact Block, CB-10, N.C.

## ORDERING INFORMATION FOR SWITCHES

**DSS22-S 2 11 G A**

### Series

- DFP = Palm/Foot Switch
- DPL22 = Round Head Pilot Lamp Switch
- DLD22 = Flush Head Pilot Lamp Switch
- DPB22 = Non-Illuminated Push Button Switch
- DLB22 = Illuminated Push Button Switch
- DSS22 = Non-Illuminated Selector Switch
- DLS22 = Illuminated Selector Switch

### Type

- K = Key
- L = Long Shaft
- S = Normal Shaft
- B = Mushroom Head 65Ø
- D = Double Push Button
- E = Elevation Head
- F = Flush Head
- G = Mushroom Head Push-Push to Release
- L = Flush Head Push-Push to Release
- K = Mushroom Head with Key
- M = Mushroom Head 40Ø
- P = Projecting Head Push-Push to Release
- R = Reset Mushroom Head 40Ø
- S = Reset Push-Pull Stop Mushroom Head 35Ø
- V = Reset Mushroom Head 65Ø

### Switch Position

- 2 = 2 Positions
- 1 = 2 Positions (Spring Return)
- 3 = 3 Positions
- 0 = 3 Positions (Spring Return)

### Contact Blocks

- 10 = 1a
- 01 = 1b
- 11 = 1a 1b
- 20 = 2a
- 30 = 3a
- 21 = 2a 1b
- 12 = 1a 2b
- 22 = 2a 2b
- 02 = 2b
- 03 = 3b

### Cap Colours

- R = Red
- G = Green
- Y = Yellow
- S = Blue
- W = White
- B = Black

### Voltage Ratings

- A = AC,DC 24V
- D = DC 110V
- E = AC,DC 100-120V
- G = DC 220V
- I = AC,DC 2020-24024V
- M = AC 380-440V

**Example: DSS22-S211GA** = Selector switch, non-illuminated, normal shaft, two positions, contact blocks: 1a 1b, cap colour: green, voltage: AC,DC 24V.

### To order or ask for more information...

Telephone: **08456 187709**, or  
Fax: 02084 455612 or send an  
Email to **info@decontrols.co.uk**