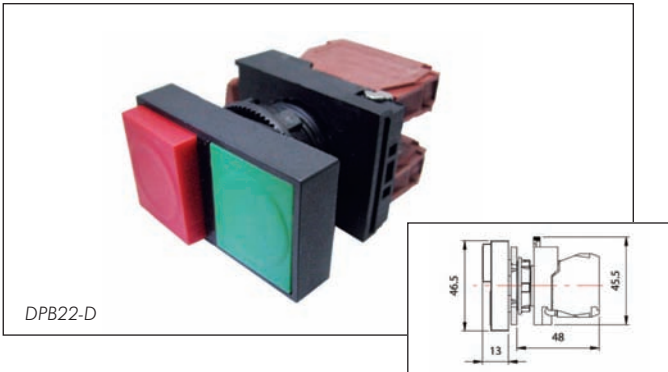
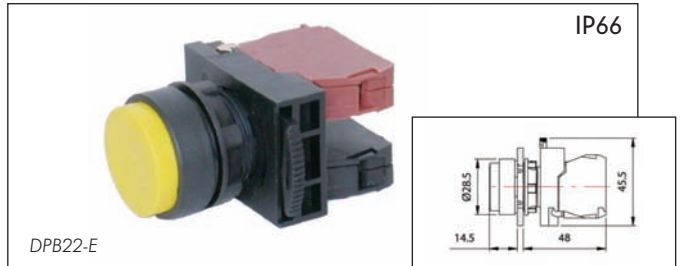


Push Button Non-Illuminated Switches – 22Ømm

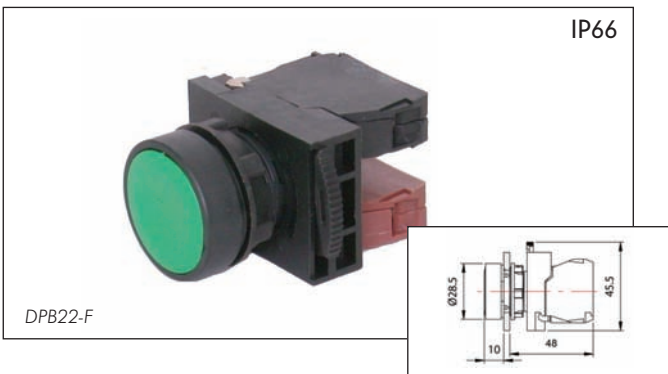
DPB22-D – Double Push Button



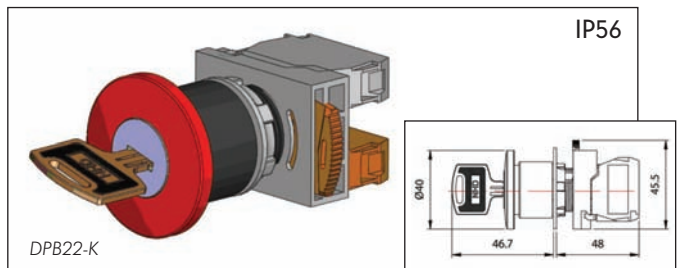
DPB22-E & DPB22-P – Elevation Head



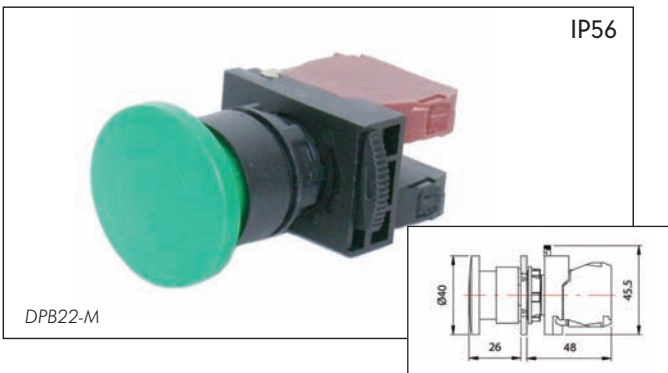
DPB22-F & DPB22-L – Flush Head



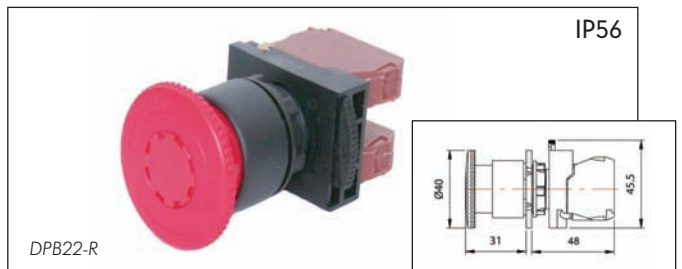
DPB22-K – Mushroom Head with Key



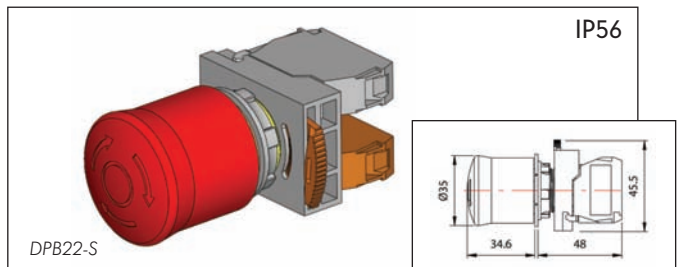
DPB22-M – Momentary Mushroom Head



DPB22-R – Twist to Reset Mushroom Head



DPB22-S – Push-pull Stop Mushroom Head



DPB22 Non-illuminated – 22Ømm

Non-illuminated push button switches come with 12 different types of heads: 35Ø, 40Ø and 65Ø; eight types of contact blocks; a choice of cap colours and voltage ratings.

- Materials: Please see page 12
- Types:
 - Double Push Button (**D**)
 - Elevation Head (**E**) and Latching Elevation Head push-push to release (**P**)
 - Flush Head (**F**) and Latching Flush Head push-push to release (**L**)
 - Mushroom Head push-push to release (**G**)
 - Emergency Stop Mushroom Head 40Ø with key (**K**)

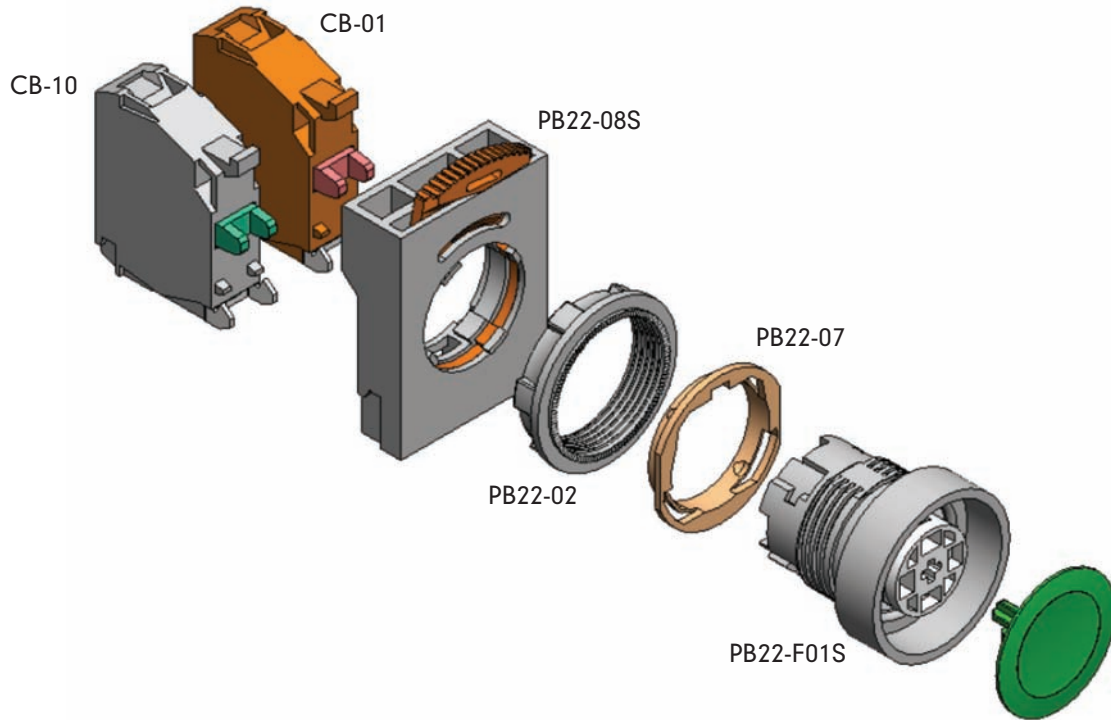
- Emergency Stop Mushroom Head 40Ø (**M**)
- Reset Mushroom Head 40Ø (**R**)
- Emergency Stop Reset push-pull Stop Mushroom Head 35Ø (**S**)
- Reset Mushroom Head 65Ø (**V**)

Available End 2010 –

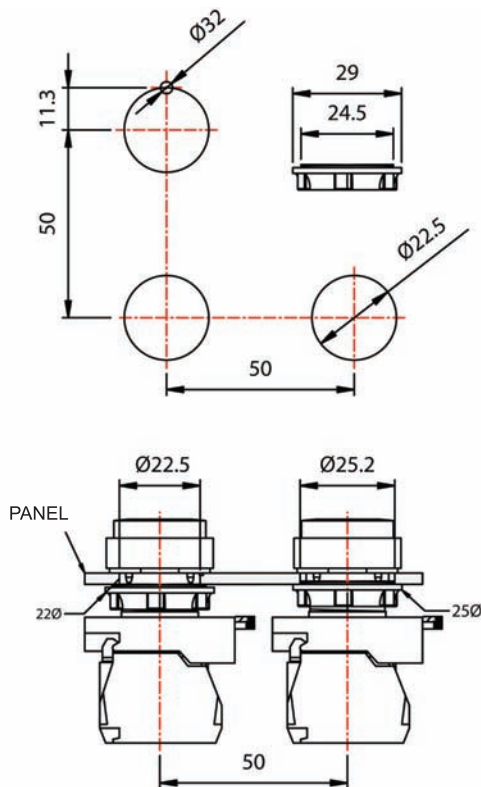
- Mushroom Head 65Ø (**B**)
- 8x Contact blocks configurations
- Cap colours:
 - Red (**R**)
 - Green (**G**)
 - Yellow (**Y**)
 - Blue (**S**)
 - Black (**B**)
 - White (**W**)
- Voltage rating: Please see page 12

Exploded View – Push Button Control Station

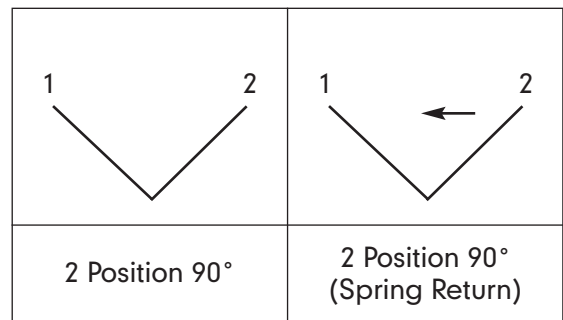
DPB22 PUSH BUTTON CONTROL STATION WITH PART NUMBERS



Mounting Hole Layout

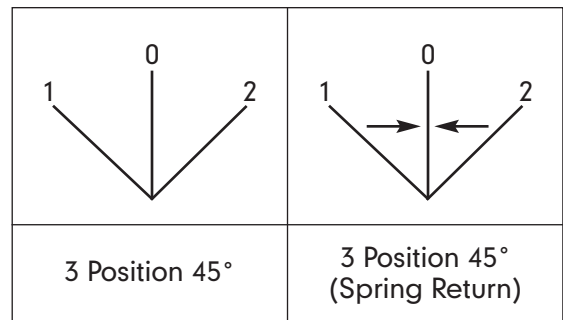


Selector Switch Positions



DEO-PB22-2 – STANDARD

DEO-PB22-1 – OPTIONAL



DEO-PB22-3 – OPTIONAL

DEO-PB22-0 – OPTIONAL



We have a wide range of switches from push button, selector and key to pilot lamps and palm/foot switches; illuminated and non-illuminated with up to 12 different types of heads to choose from, eight types of contact blocks, a choice of cap colours and voltage ratings for use in the electrical and electronic engineering markets.

SWITCH MATERIALS

Body: PA66 + 15%GF-VO

- Illuminated types Polycarb VO
- Lever types POM polyacetal
- Push button types PA66 V2
- Contact block bracket PA66 V2 + 15%gf
- Contact Block PA66 VO
- Contact block plunger PA66 VO + 15%gf
- Rubber boot silicone rubber
- Push/pull button PA66 V2
- Panel seal PVC
- Panel nut PA66 V2 +15%gf
- Key brass, nickel plate
- Legend holder PA66 V2
- Legend PP

Contacts:

- Copper alloy/nickel silver
- AgCdO silver, gold plated
- Bifurcated serated

Screw & Clamp:

- Steel, nickel plated
- M3.5 captive steel, chrome plate

Splash Proof Cover: Silicone rubber

Keys: Brass, nickel plated, 2 supplied

Electrical Properties:

Switch Rating:

AC12 Resistive Load 220-240V...	3A
380-415V...	1.5A
AC15 Electromagnetic Loads...	3A
380-415V...	1.5A

Electrical Life (operations):

500,000 at full load

Mechanical Life (operations): 1,000,000

Contact Resistance (new): Less than 30mΩ

Insulation Resistance:

Above 100MΩ @500Vdc

Dielectric Strength:

Across open contacts:	>1KV	>2KV
Between poles:	>3KV	>3KV

Between live parts and accessible metal: >4KV >5KV

Contact Gap: >3mm

Termination: Screw and clamp

Max. Wire size (per terminal):

- 1x 0.5 – 2.5mm² or
- 2 x 1mm² each side of screw
- 2 x 1.5mm² dia max. multi strand (2 wires per clamp)

Physical Properties:

Operating Temp. (min./max.):

-10° + 65° in house

Storage Temp. (1 year): -20°/+60°C

Mechanical Properties:

Panel hole size: 22.5 diameter round with 3.2 dia. keyway

For types R (Emergency Stop - Reset):

40N (with 1 module) to EN418

Sealing: Ingress Rating (IPxx)

Switch: IP66

IP66 types F, L, E, palm

IP65 types push/pull

IP56 types K, S, L, R, M

IP56 D

Switch to panel (22mm): IP66

Splash proof cover, round: IP67 for

Types F, E, L

Splash proof cover, rectangular: IP67 for

Type D

Illumination:

Bayonet BA9s LED – Voltages: 6/24V,

100/120 – 220/240V

380/415V, ac/dc

Bayonet 9mm – Voltages: + 380-415 VAC

Life: 100,000 hours

Product Marking:

Terminal Numbers:

1 & 2 – On Contact Block, CB-01, N.O.

3 & 4 – On Contact Block, CB-10, N.C.

ORDERING INFORMATION FOR SWITCHES

DSS22-S 2 11 G A

Series

- DFP = Palm/Foot Switch
- DPL22 = Round Head Pilot Lamp Switch
- DLD22 = Flush Head Pilot Lamp Switch
- DPB22 = Non-Illuminated Push Button Switch
- DLB22 = Illuminated Push Button Switch
- DSS22 = Non-Illuminated Selector Switch
- DLS22 = Illuminated Selector Switch

Type

- K = Key
- L = Long Shaft
- S = Normal Shaft
- B = Mushroom Head 65Ø
- D = Double Push Button
- E = Elevation Head
- F = Flush Head
- G = Mushroom Head Push-Push to Release
- L = Flush Head Push-Push to Release
- K = Mushroom Head with Key
- M = Mushroom Head 40Ø
- P = Projecting Head Push-Push to Release
- R = Reset Mushroom Head 40Ø
- S = Reset Push-Pull Stop Mushroom Head 35Ø
- V = Reset Mushroom Head 65Ø

Switch Position

- 2 = 2 Positions
- 1 = 2 Positions (Spring Return)
- 3 = 3 Positions
- 0 = 3 Positions (Spring Return)

Contact Blocks

- 10 = 1a
- 01 = 1b
- 11 = 1a 1b
- 20 = 2a
- 30 = 3a
- 21 = 2a 1b
- 12 = 1a 2b
- 22 = 2a 2b
- 02 = 2b
- 03 = 3b

Cap Colours

- R = Red
- G = Green
- Y = Yellow
- S = Blue
- W = White
- B = Black

Voltage Ratings

- A = AC,DC 24V
- D = DC 110V
- E = AC,DC 100-120V
- G = DC 220V
- I = AC,DC 2020-24024V
- M = AC 380-440V

Example: DSS22-S211GA = Selector switch, non-illuminated, normal shaft, two positions, contact blocks: 1a 1b, cap colour: green, voltage: AC,DC 24V.

To order or ask for more information...

Telephone: **08456 187709**, or
Fax: 02084 455612 or send an
Email to **info@decontrols.co.uk**